

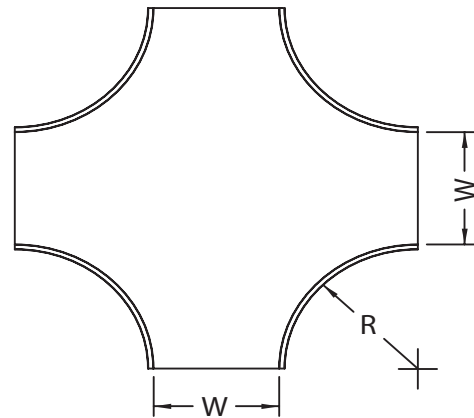
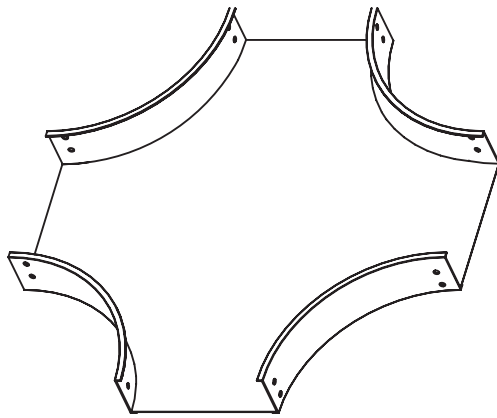
ALUMINUM - SOLID - HORIZONTAL CROSS FITTINGS

Fittings are used to change the size or direction of the cable tray rung. Material: 5052 H32 aluminum.

HOW TO ORDER - EXAMPLE:				AXS-C102-30-60					
Material	Fitting Type	Style	Class Reference	Side Rail (H)		Width (W)		Radius (R)	
				mm	in	cm	in	cm	in
A	X	S	C	102	(4")	15	(6")	30	(12")
						30	(12")		
						45	(18")		
						60	(24")		
						75	(30")		
						90	(36")		

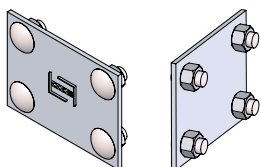
*Imperial measurements are for reference only

CROSS



SPYDERLOK

The original quick connector included with all fittings and tray.



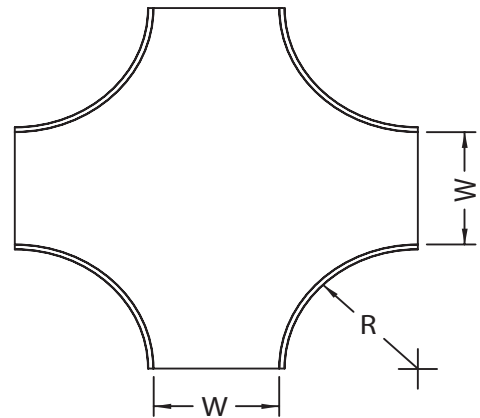
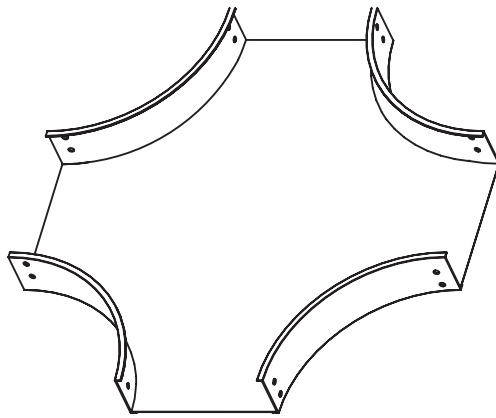
ALUMINUM - SOLID - HORIZONTAL CROSS FITTINGS

Fittings are used to change the size or direction of the cable tray rung. Material: 5052 H32 aluminum.

HOW TO ORDER - EXAMPLE:				AXS-D115-30-60					
Material	Fitting Type	Style	Class Reference	Side Rail (H)		Width (W)		Radius (R)	
				mm	in	cm	in	cm	in
A	X	S	D or E	115	4 1/2"	15	(6")	30	(12")
						30	(12")		
						45	(18")		
						60	(24")		
						75	(30")		
						90	(36")		

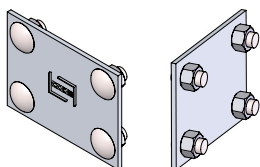
**Imperial measurements are for reference only*

CROSS



SPYDERLOK

The original quick connector included with all fittings and tray.



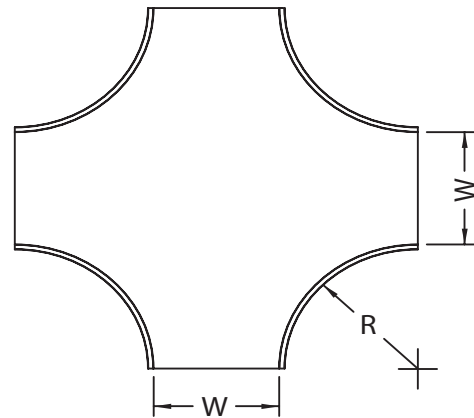
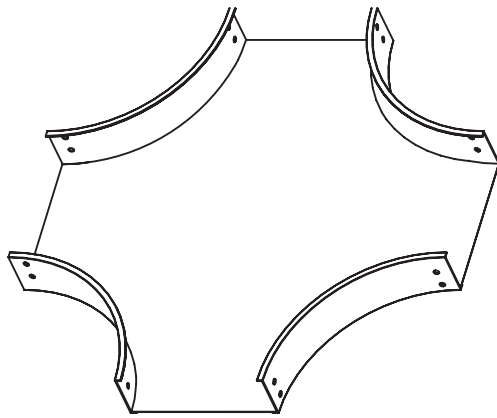
ALUMINUM - SOLID - HORIZONTAL CROSS FITTINGS

Fittings are used to change the size or direction of the cable tray rung. Material: 5052 H32 aluminum.

HOW TO ORDER - EXAMPLE:				AXS-C150-30-60					
Material	Fitting Type	Style	Class Reference	Side Rail (H)		Width (W)		Radius (R)	
				mm	in	cm	in	cm	in
A	X	S	C, D, or E	150	(6")	15	(6")	30	(12")
						30	(12")		
						45	(18")		
						60	(24")		
						75	(30")		
						90	(36")		

**Imperial measurements are for reference only*

CROSS



SPYDERLOK

The original quick connector included with all fittings and tray.

