

TELEPHONE/CABLEVISION DISTRIBUTION BOX

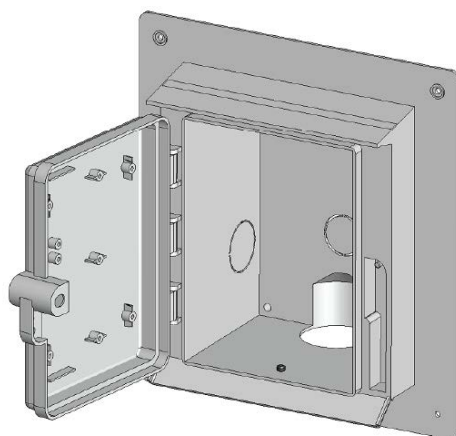
CATV and Telephone Enclosure - PWD6 Multi PURPOSE in-Wall Housing

This multi port in wall housing is designed to ensure the structural integrity of building envelopes. Its innovative design directs moisture away from building facades and the underlying structural framework. Additional future wiring can be accommodated through the front bottom grommet, without compromising the water penetration protection. Standard colour is grey.

- Dual drip ledges
- Mounting splashboard
- Grounding post
- Top & rear body knockouts
- Base entry port
- Maximum 2" PVC conduit
- Telus & CSA approved

Inside dimensions PWD6F & PWD6S: H: 7.7" x W: 5.9" x D: 4.75"

Inside dimensions PWDSFL: H: 13" x W: 8" x D: 5.6"



TELEPHONE & CABLEVISION

CAT No:	Description
C-PWD6F (14 per case, sold by case)	Flush-Plastic CATV Enclosure accommodates 1-5 CATV per box
C-PWDSFL (4 per case), sold by case)	Flush-Plastic CATV Enclosure accommodates 1-16 CATV per box
T-PWD6S (14 per case, sold by case)	Flush-Plastic TELEPHONE Enclosure
T-PWD6PA (14 per bag sold individually)	Flush trim kit pipe adapter
T-PWDSTP (14 per bag sold individually)	Plastic trim plate