

BC HYDRO - DISTRIBUTION & METERING KIOSK - CSA 1, 3R, 3, 4 or 4X

Distribution and metering kiosk built to BC Hydro's distribution standards. Used when the service is too large to be permitted within the building or when the service is too large to fit within the building's electrical room. Complete standalone freestanding unit, fully bussed and wired for ease of installation. Designed to require no additional wiring to CTs once installed. Certified for use as service entrance. Designed and built to comply with the latest BC Hydro distribution standards and therefore acceptable by BC Hydro for connection to the BC Hydro distribution system.

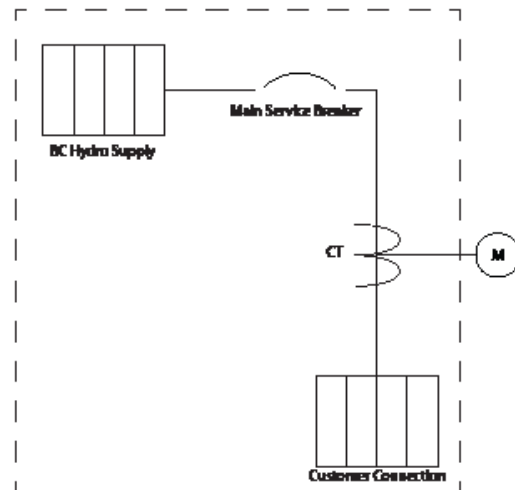
RATINGS: CSA Certified 3R Enclosure & Approved by BC Hydro for standard ES54 S2-01.04 Rev 8

- Fully welded CSA construction
- Built from marine grade aluminum
- Designed for Pad Mount Applications
- Sainless Steel 3 - Point Handle c/w Dual Padlock Provision
- CT/PT compartment (where applicable)
- BC Hydro Bus with Ground Stud
- Outgoing terminals
- 25 kA rated main breaker
- Dead Front Interior with BC Hydro sealing provisions

- Externally mounted Meter Base

Options Available:

- Custom size enclosures
- Custom color powder coating
- Light fixture
- Heater
- Fan
- Convenience Receptacle
- Interior Mounted Meter Base c/w Viewing Window
- Insulation



CAT No:	MAIN BREAKER	PHASE	VOLTAGE FOR 21kA	SIZES
BCHK-0200-1	200A	1	120/240V	75 x 50 x 14
BCHK-0200-3	200A	3	347/600V	75 x 50 x 14
BCHK-0400-1	400A	1	120/240V	75 x 50 x 14
BCHK-0400-3	400A	3	347/600V	75 x 50 x 14
BCHK-0600-1	600A	1	120/240V	75 x 50 x 14***
BCHK-" 600-3	600A	3	347/600V	75 x 56 x 20***
BCHK-" 800-3	800A	3	347/600V	75 x 56 x 20***
BCHK-1200-3	1200A	3	347/600V	80 x 56 x 24
BCHK-1600-3	1600A	3	347/600V	80 x 75x 24

*For custom options, speak with your sales representative. *** kiosk size to be confirmed at time of order

**Special approval is required from BC Hydro for meter placement inside kiosk. Contact your sales rep for further details.

BC HYDRO / FORTIS