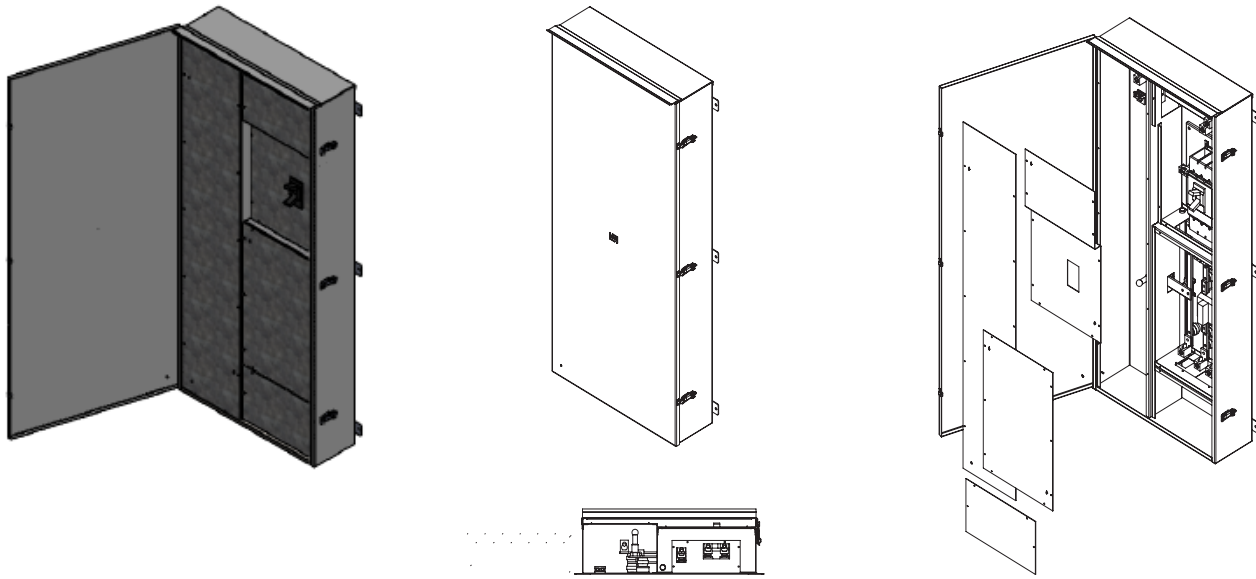


BC HYDRO - SERVICE ENTRANCE ENCLOSURE (400-600AMP)

Wall mounted CSA 3R service entry enclosure built to BC Hydro distribution standards. Used in conjunction with appropriate meter base as a complete BC Hydro secondary service solution for both temporary or permanent connections. Fully wired and bused of ease of installation. Custom designs available. Designed and built to comply with the latest BC Hydro distribution standards and therefore acceptable by BC Hydro for connection to the BC Hydro distribution system.

RATINGS: CSA Certified 3R Enclosure

- 25 KA @ 600V Main Breaker
- Wall-mounted design
- Ground ball and ground bar included
- Weatherproof
- Service entrance rated @ time of order
- Hinged door - pad-lockable
- Dual padlock capable
- Bussed CT section for 400 & 600 amp



CAT No:	MAIN BREAKER	PHASE	VOLTAGE	SIZES
BCHSE-S-0400-1	400A	1	120/240	64 x 28 x 8.5
BCHSE-S-0400-3	400A	3	600	TBA
BCHSE-S-0600-1	600A	1	120/240	72 x 28 x 8.5
BCHSE-S-0600-3	600A	3	600	TBA

*For custom options, speak with your sales representative.

BC HYDRO / FORTIS