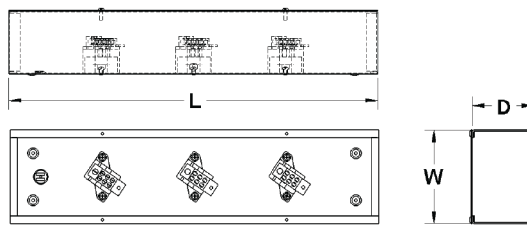
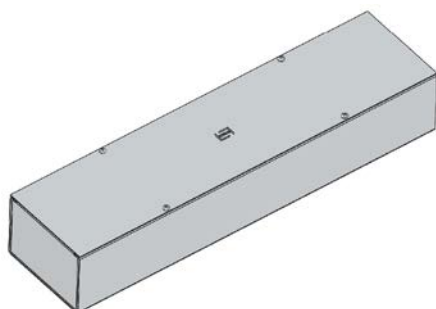


PAD TYPE - SPLITTER TROUGH - ALUMINUM - CSA 1 (125-225amp)

The PAD-A splitter troughs are designed for 600 V (max.) service, 3 or 4 wires.

- 10 Ga or 12 Ga aluminum
- Mounting holes in back
- Screw cover
- Factory Installed PADS
- CSA Certified
- Stocked in Port Coquitlam

Options include: hinged cover, powder coated, custom and standard colours.



SPLITTERS, BUSGUTTERS & LUGS

CAT No:		Main Lugs			Branch Lugs		Enclosure Size & Weight			
3 Wire	4 Wire	Amp	Qty.	Wires	Qty.	Wires	L	W	D	LBS
PAD-A-2413	-----	125	1	14-1/0	6	14-2	24	6	4	10.0
PAD-A-3613	PAD-A-3614						36	6	4	17.0
PAD-A-4813	PAD-A-4814						48	6	4	20.0
PAD-A-6013	PAD-A-6014						60	6	4	24.0
PAD-A-7213	PAD-A-7214						72	6	4	33.0
PAD-A-2423	-----	225	1	6-300 MCM	6	14-2/0	24	8	5	13.0
PAD-A-3623	PAD-A-3624						36	8	5	22.0
PAD-A-4823	PAD-A-4824						48	8	5	30.0
PAD-A-6023	PAD-A-6024						60	8	5	40.0
PAD-A-7223	PAD-A-7224						72	8	5	46.0

Custom sizes available