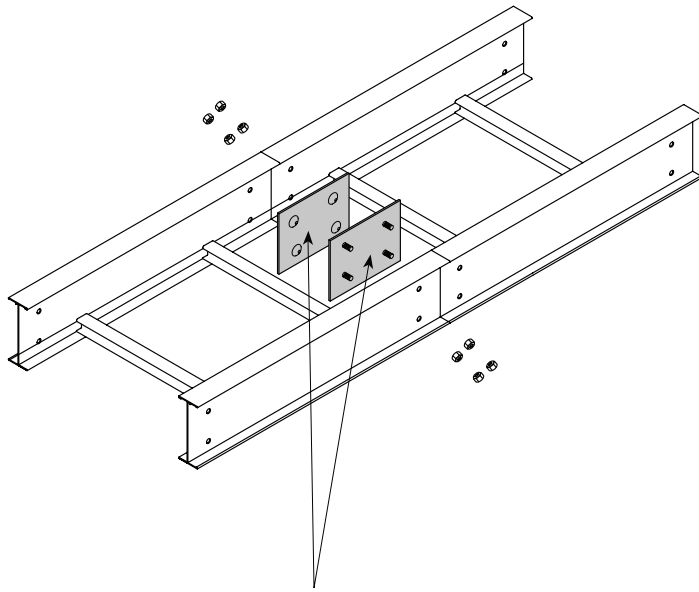


THE ORIGINAL QUICK TRAY CONNECTOR - SPYDERLOK



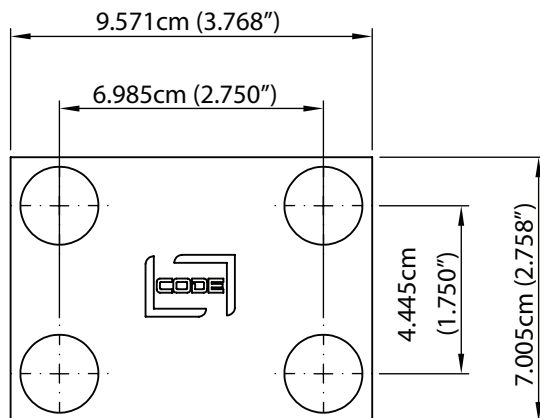
SPYDERLOK - Quick Connector
(goes on the inside of the tray to protect cables)

SPECIFICATIONS

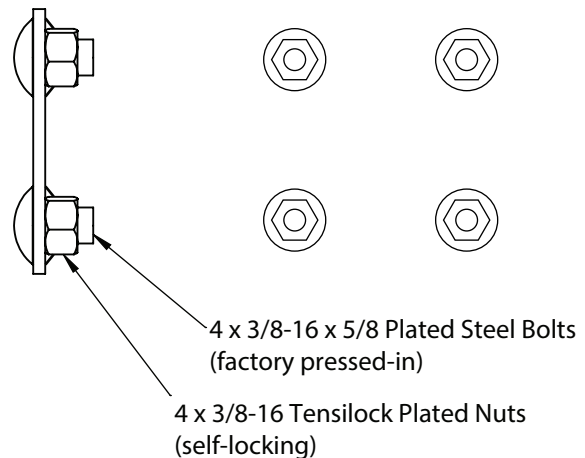
- 1/8 5052 H32 aluminum or
- 12 Ga galvanized steel - ASTM A653 G90
- 10cm (4") and 15cm (6") high tray compatible
- 4 - factory pressed-in knurl bolt
- 4 - plated flange nuts

Quick install saves you time and costs by using CODE's original Quick Connector. Simply insert the plate into the predrilled holes on the tray and tighten the 4 bolts.

- Factory pressed-in bolts and loose nuts
- Interchangeable connector plate for all rail heights
- Aluminum or galvanized to match tray
- 1 piece design
- Included with all straight section trays and fittings



*Flip for 150mm (6") tray side rail.



GENERAL ACCESSORIES - CABLE TRAY

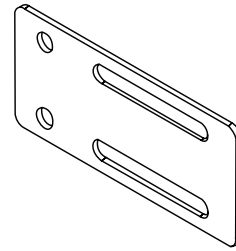
HOW TO ORDER - EXAMPLE:

AEC-102

Expansion Connector

Part No: (Material)EC-(Side Rail Height)

- Allows for minor expansion or contraction of tray installation.
- Sold in pairs complete with hardware.
- See technical section for further details.



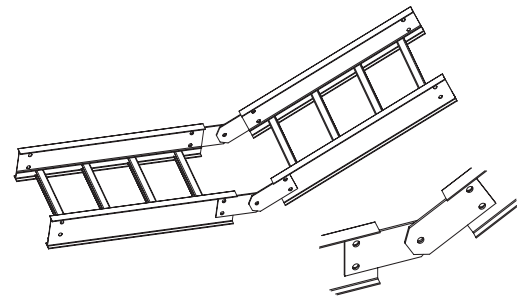
HOW TO ORDER - EXAMPLE:

AAR-102

Adjustable Vertical Risers

Part No: (Material)AR-(Side Rail Height)

- Enables vertical changes during cable tray installation.
- Sold in sets complete with hardware.



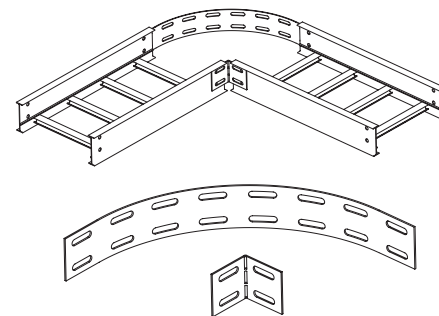
HOW TO ORDER - EXAMPLE:

AAE-102

Adjustable Horizontal Elbows

Part No: (Material)AE-(Side Rail Height)

- Enables horizontal adjustment during cable tray installation.
- Sold in sets complete with hardware. (Bottom pan not included.)



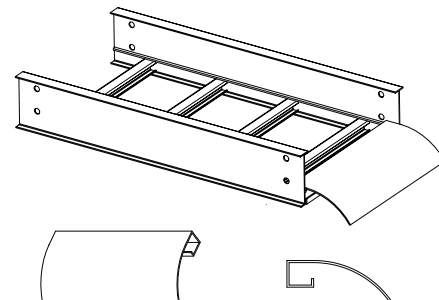
HOW TO ORDER - EXAMPLE:

ADRP-30

Drop Outs

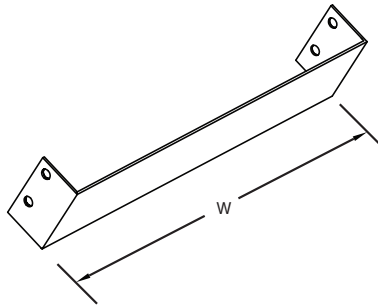
Part No: (Material)DRP-(Width)

- The solid surface curve clips easily onto rungs to allow cables to drop cleanly into place.



HOW TO ORDER - EXAMPLE:

AEP-102-30



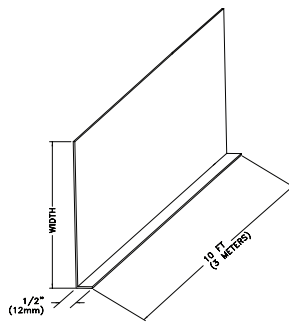
End Plates

Part No: (Material)EP-(Side Rail Height)-Width

- This single bracket closes off open ended cable tray.
- Sold as each complete with hardware.
- W = Tray Width

HOW TO ORDER - EXAMPLE:

ABS-075



Barrier Strip

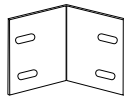
Part No: (Material)BS

- Straight 3 meter (10ft) length used to divide the cable tray into various compartments.
- ABS-075 & SBS-075 fit 102 and 115 mm siderail.
- ABS-115 & SBS-115 fit 150mm siderail.

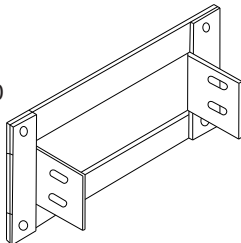
HOW TO ORDER - EXAMPLE:

ATRBX-102 or ATRBX-102-30

Option A: ATRBX-102



Option B: ATRBX-102-30



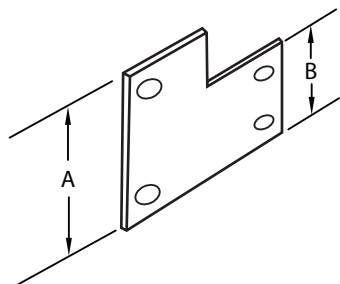
Tray to Box Connectors

Part No: ATRBX-102 or ATRBX-102-30

- Tray is easily connected to electrical panels or walls with an assortment of connectors.
- Sold complete with hardware.
- Other customized connectors available upon request.

HOW TO ORDER - EXAMPLE:

ASDCP



Step Down Connectors

Part No: ASDCP

- Enable quick connection between cable tray of varying heights.
- Sold in pairs complete with hardware.
- Dimensions A & B as per tray height.
- Step down from 150mm to 115mm or 102mm siderail height.

GENERAL ACCESSORIES - CABLE TRAY

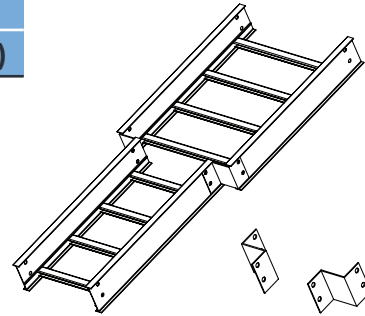
HOW TO ORDER - EXAMPLE:

ACR-102-15

Concentric Reducers

Part No: (Material)CR-(Side Rail Height)-(Reducing Difference)

- Enables quick and economical connection between cable tray of varying widths.
- Reduces evenly on both sides of tray.
- Sold in pairs complete with hardware.



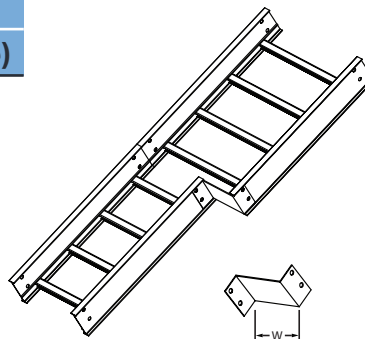
HOW TO ORDER - EXAMPLE:

AOR-102-15

Offset Reducers

Part No: (Material)OR-(Side Rail Height)-(Reducing Difference)

- Enables quick and economical connection between cable tray of varying widths.
- Reduces down either left or right side.
- Sold in singles complete with hardware.
- W = OFFSET WIDTH



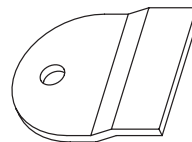
HOW TO ORDER - EXAMPLE:

AHDC-41 or SHDC-102

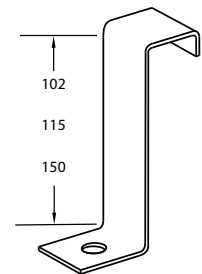
Hold Down Clips

Part No: (Material)HDC-(SIDERAIL HEIGHT)

- Holds tray secure and in place.



AHDC-41 (for aluminum only)



SHDC (for steel)

HOW TO ORDER - EXAMPLE:

(Material)CCL

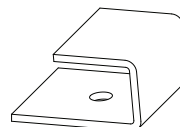
Tray Cover Clips

(METAL)HDC-(Siderial Height)

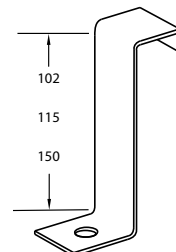
See drawings to the right

(Metal)WACCL-(Siderail Height)-(Width)

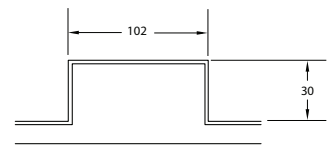
- The following clamps are recommended to use when it is necessary to fasten tray cover down.



ACCL or SCCL



SHDC



AWACCL or SWACCL

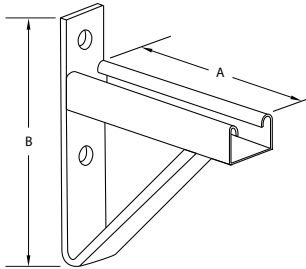
HOW TO ORDER - EXAMPLE:

CSB-15 or CWB-30

Wall Brackets

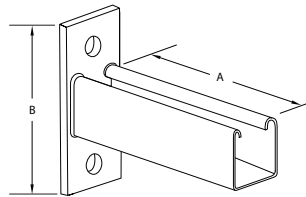
Part No: CSB-15 or CWB-30

- Mounting tray against a wall.



CWB-30

Part No:	A		B		Wt/100pcs		Uniform Load	
	mm	in	mm	in	lbs	kg	lbs	kg
CWB-30	381.0	15	222	8 3/4	420	190.5	1000	453.6
CWB-45	533.4	21	222	8 3/4	628	284.9	1000	453.6
CWB-60	685.8	27	286	11 1/4	860	390.1	900	408.2
CWB-75	838.2	33	286	11 1/4	1010	458.1	900	408.2
CWB-90	990.6	39	406.4	16	1257	570.2	800	362.9



CSB-15

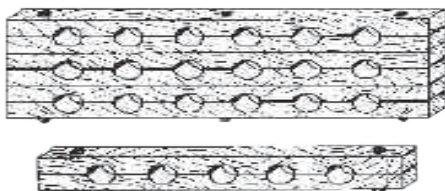
Part No:	A		Wt/100pcs		Uniform Load	
	mm	in	lbs	kg	lbs	kg
CSB-15	228.6	9	185	83.9	1200	544.3
CSB-30	304.8	12	293	132.9	600	272.2
CSB-45	457.2	18	401	181.9	400	181.4
CSB-60	609.6	24	509	230.9	300	136.1

HOW TO ORDER - EXAMPLE:

N/A

Wood Block Clamps

Part No: N/A



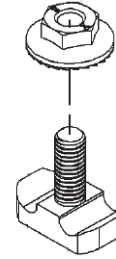
- CODE Manufacturing's wood block clamp assemblies are manufactured to your specific requirements and priced on request.
- All holes are chamfered to avoid pinching of cables upon request.
- Western maple.
- Polyurethane finish.
- Stainless hardware options.

GENERAL ACCESSORIES - CABLE TRAY

UNIVERSAL SPLICE PLATE

Part No: WT-GHRKM

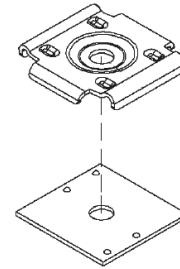
- Joins tray and fittings together.
- Supplied with a loose plate, bolts, and nuts.



CENTER HANGING SUPPORT

Part No: WT-GRKBIO

- For wall mounting wire mesh tray with a maximum width of 100 mm
- For centered hanging of wire mesh tray with a maximum width of 300 mm with a threaded rod



SIDE SECURING CLAMPS

Part No: (Material)-(Width)HD

- Used to hold tray securely in place.
- The brackets clip onto the side of the instrumentation channel and is bolted into a spring nut in the support strut. (Hardware not supplied).
- Available for instrumentation channel with 30mm & 65mm height.

