

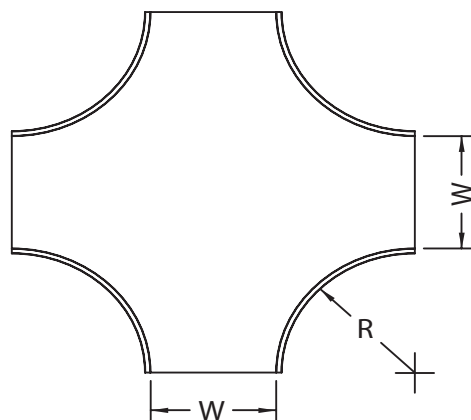
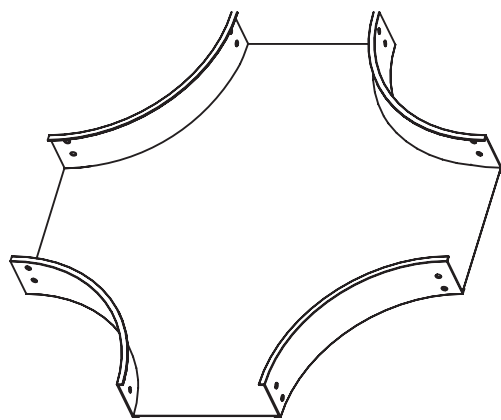
# PAINT READY - SOLID - HORIZONTAL CROSS FITTINGS

Fittings are used to change the size or direction of the cable tray. Material: galvalneal.

HOW TO ORDER - EXAMPLE:				PXS-C102-30-60					
Material	Fitting Type	Style	Class Reference	Side Rail (H)		Width (W)		Radius (R)	
				mm	in	cm	in	cm	in
P	X	S	C	102	(4")	15	(6")	30	(12")
						30	(12")		
						45	(18")		
						60	(24")		
						75	(30")		
						90	(36")		

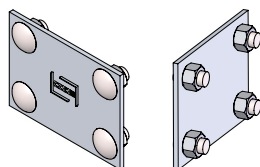
\*Imperial measurements are for reference only

## CROSS



## SPYDERLOK

The original quick connector included with all fittings and tray.



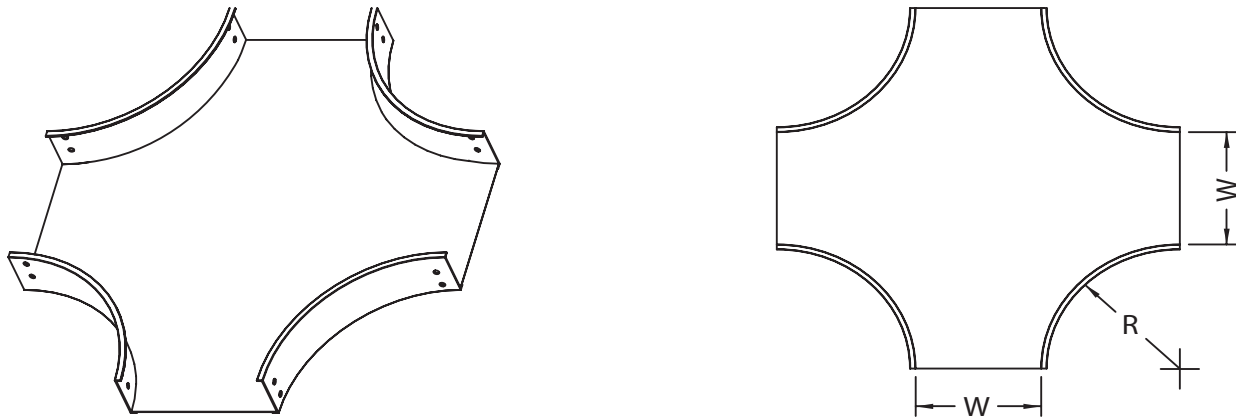
# PAINT READY - SOLID - HORIZONTAL CROSS FITTINGS

Fittings are used to change the size or direction of the cable tray. Material: galvalneal.

HOW TO ORDER - EXAMPLE:				PXS-D115-30-60					
Material	Fitting Type	Style	Class Reference	Side Rail (H)		Width (W)		Radius (R)	
				mm	in	cm	in	cm	in
P	X	S	D or E	115	4 1/2"	15	(6")	30	(12")
						30	(12")		
						45	(18")		
						60	(24")		
						75	(30")		
						90	(36")		

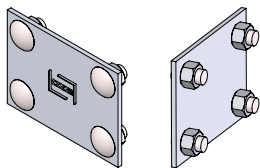
\*Imperial measurements are for reference only

## CROSS



## SPYDERLOK

The original quick connector included with all fittings and tray.



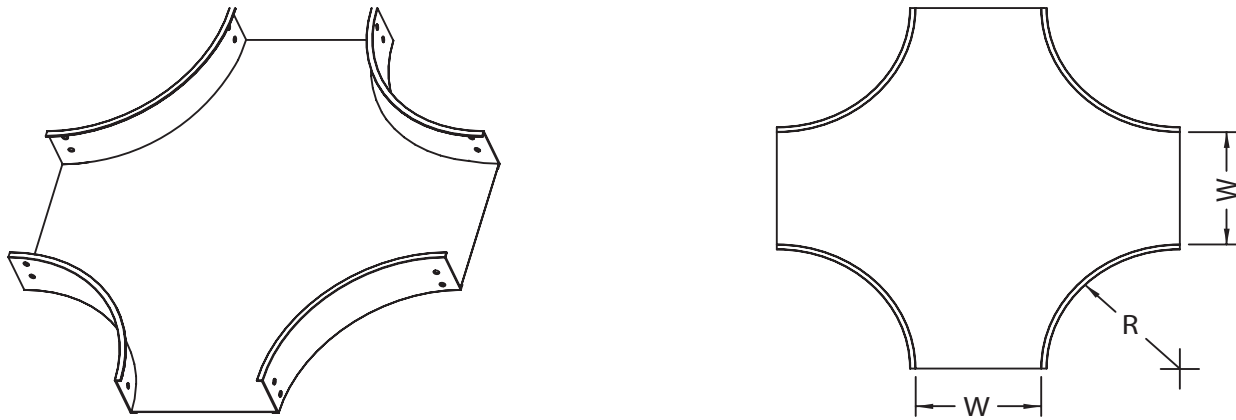
# PAINT READY - SOLID - HORIZONTAL CROSS FITTINGS

Fittings are used to change the size or direction of the cable tray. Material: galvalneal.

HOW TO ORDER - EXAMPLE:				PXS-C150-30-60					
Material	Fitting Type	Style	Class Reference	Side Rail (H)		Width (W)		Radius (R)	
				mm	in	cm	in	cm	in
P	X	S	C, D, or E	150	(6")	15	(6")	30	(12")
						30	(12")		
						45	(18")		
						60	(24")		
						75	(30")		
						90	(36")		

*\*Imperial measurements are for reference only*

## CROSS



## SPYDERLOK

The original quick connector included with all fittings and tray.

