

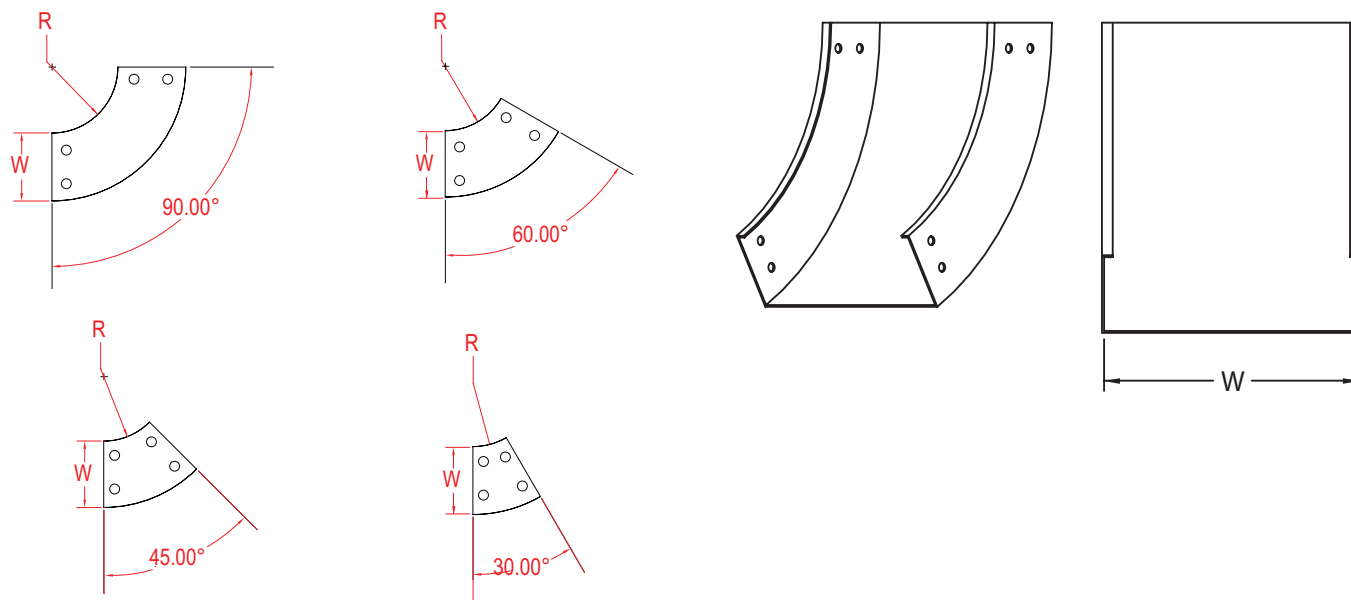
# PAINT READY - SOLID - INSIDE VERTICAL RISER FITTING

Fittings are used to change the size or direction of the cable tray. Material: galvalneal.

HOW TO ORDER - EXAMPLE:				PIVS90-C102-30-60						
Material	Fitting Type	Style	Degree	Class Reference	Side Rail (H)		Width (W)		Radius (R)	
					mm	in	cm	in	cm	in
SS	IV	S	30	C	102	(4")	15	(6")	30	(12")
			45				30	(12")		
			60				45	(18")		
			90				60	(24")		
							75	(30")		
	90	(36")	90	(36")						

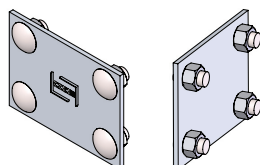
\*Imperial measurements are for reference only

## DEGREES



## SPYDERLOK

The original quick connector included with all fittings and tray.



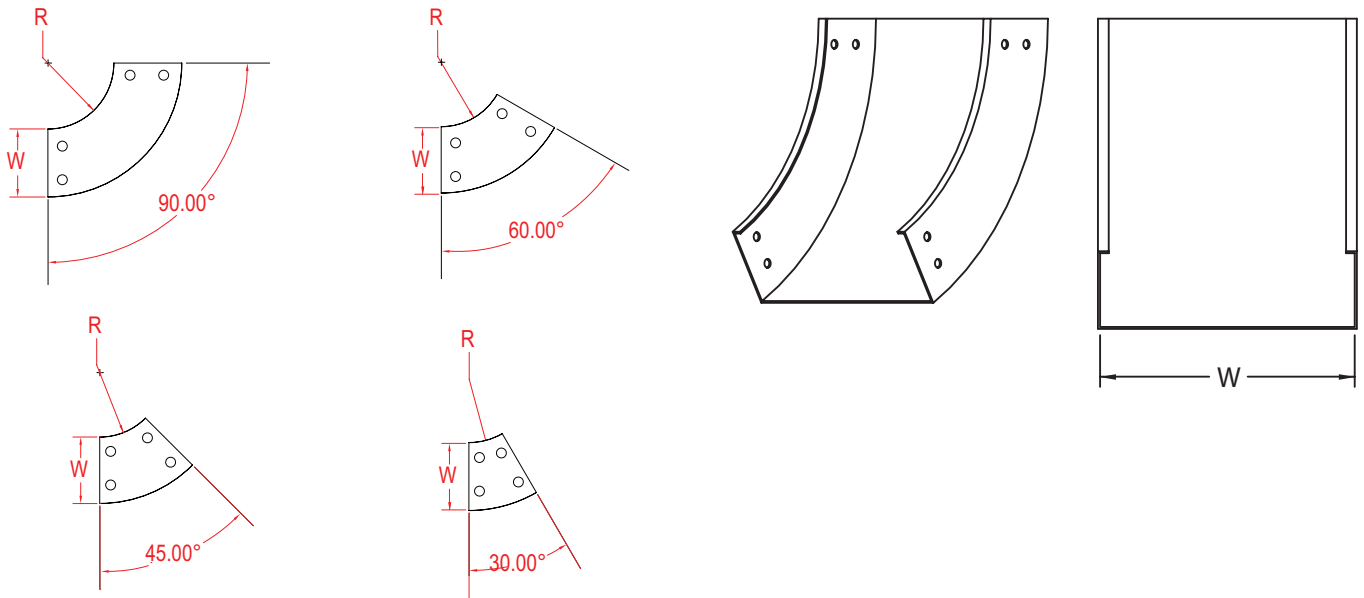
# PAINT READY - SOLID - INSIDE VERTICAL RISER FITTING

Fittings are used to change the size or direction of the cable tray. Material: galvalneal.

HOW TO ORDER - EXAMPLE:				PIVS90-D115-30-60						
Material	Fitting Type	Style	Degree	Class Reference	Side Rail (H)		Width (W)		Radius (R)	
					mm	in	cm	in	cm	in
SS	IV	S	30	D or E	115	(4 1/2")	15	(6")	30	(12")
			45				30	(12")		
			60				45	(18")		
			90				60	(24")		
							75	(30")		
	90	(36")	90	(36")						

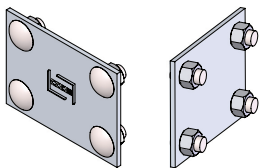
\*Imperial measurements are for reference only

## DEGREES



## SPYDERLOK

The original quick connector included with all fittings and tray.



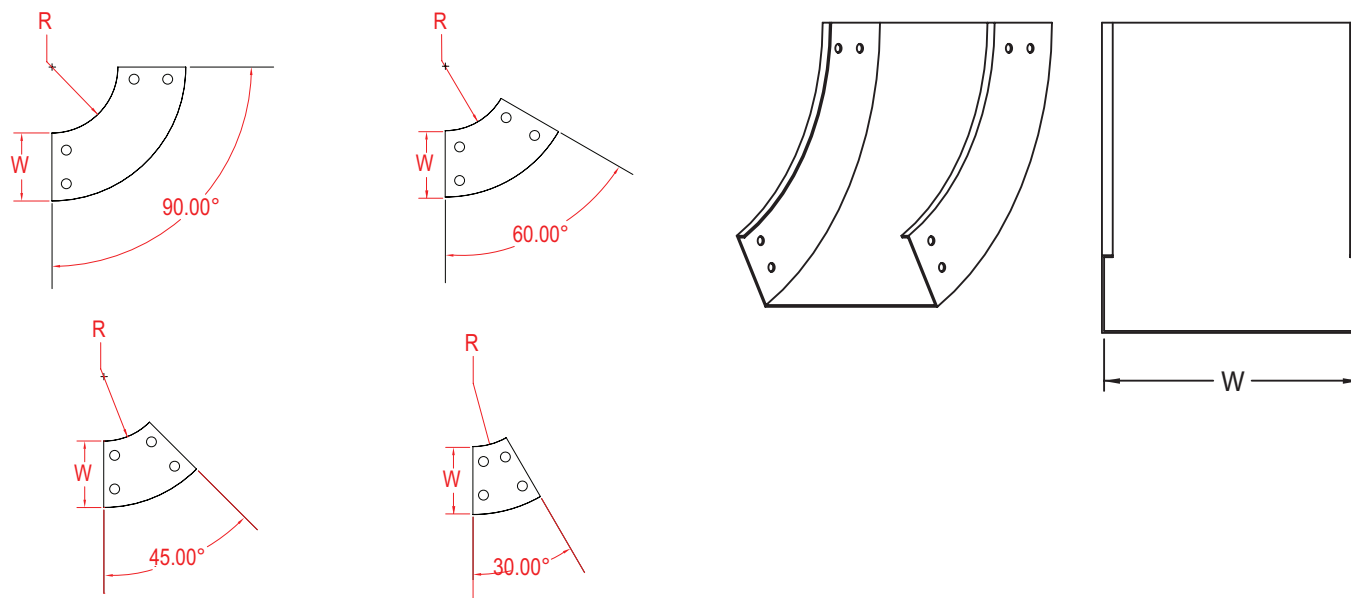
# PAINT READY - SOLID - INSIDE VERTICAL RISER FITTING

Fittings are used to change the size or direction of the cable tray. Material: galvalneal.

HOW TO ORDER - EXAMPLE:				PIVS90-C150-30-60						
Material	Fitting Type	Style	Degree	Class Reference	Side Rail (H)		Width (W)		Radius (R)	
					mm	in	cm	in	cm	in
SS	IV	S	30	C, D, or E	150	(6")	15	(6")	30	(12")
			45				30	(12")		
			60				45	(18")		
			90				60	(24")		
							75	(30")		
	90	(36")	90	(36")						

\*Imperial measurements are for reference only

## DEGREES



## SPYDERLOK

The original quick connector included with all fittings and tray.

