

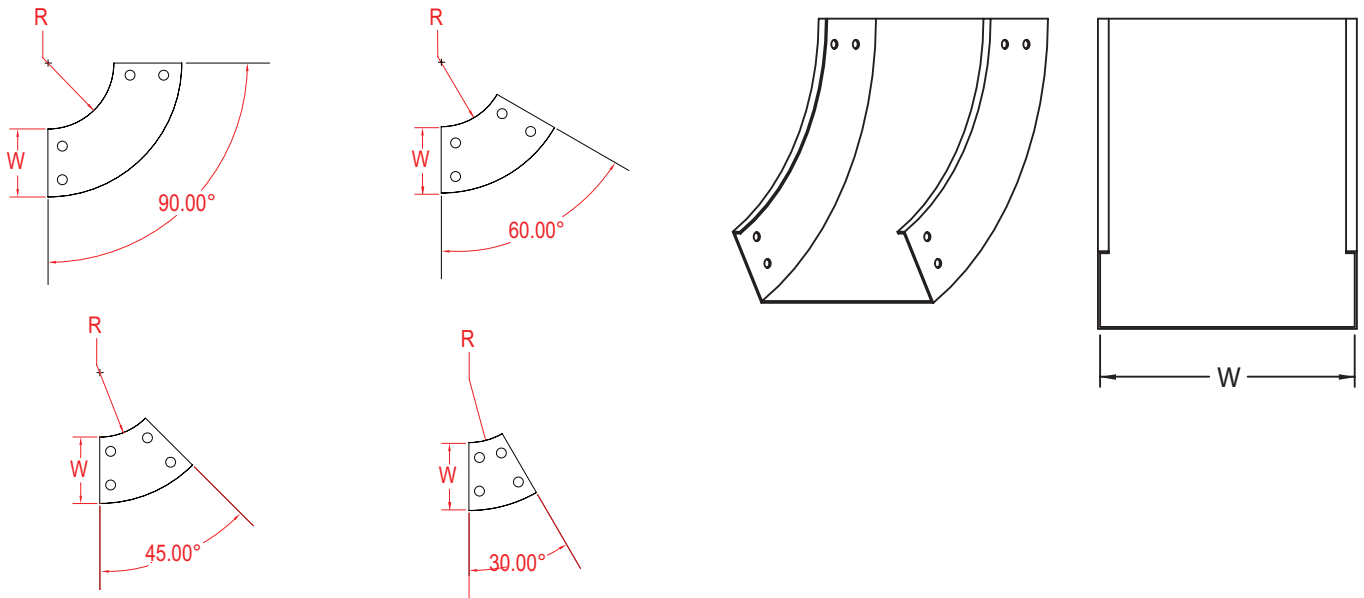
STAINLESS STEEL - SOLID - INSIDE VERTICAL RISER FITTING

Fittings are used to change the size or direction of the cable tray. Material: stainless steel 304 2B standard.

HOW TO ORDER - EXAMPLE:				SSIVS90-C102-30-60						
Material	Fitting Type	Style	Degree	Class Reference	Side Rail (H)		Width (W)		Radius (R)	
					mm	in	cm	in	cm	in
SS	IV	S	30	C	102	(4")	15	(6")	30	(12")
			45				30	(12")		
			60				45	(18")		
			90				60	(24")		
							75	(30")		
	90	(36")	90	(36")						

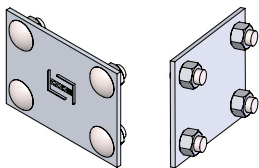
*Imperial measurements are for reference only

DEGREES



SPYDERLOK

The original quick connector included with all fittings and tray.



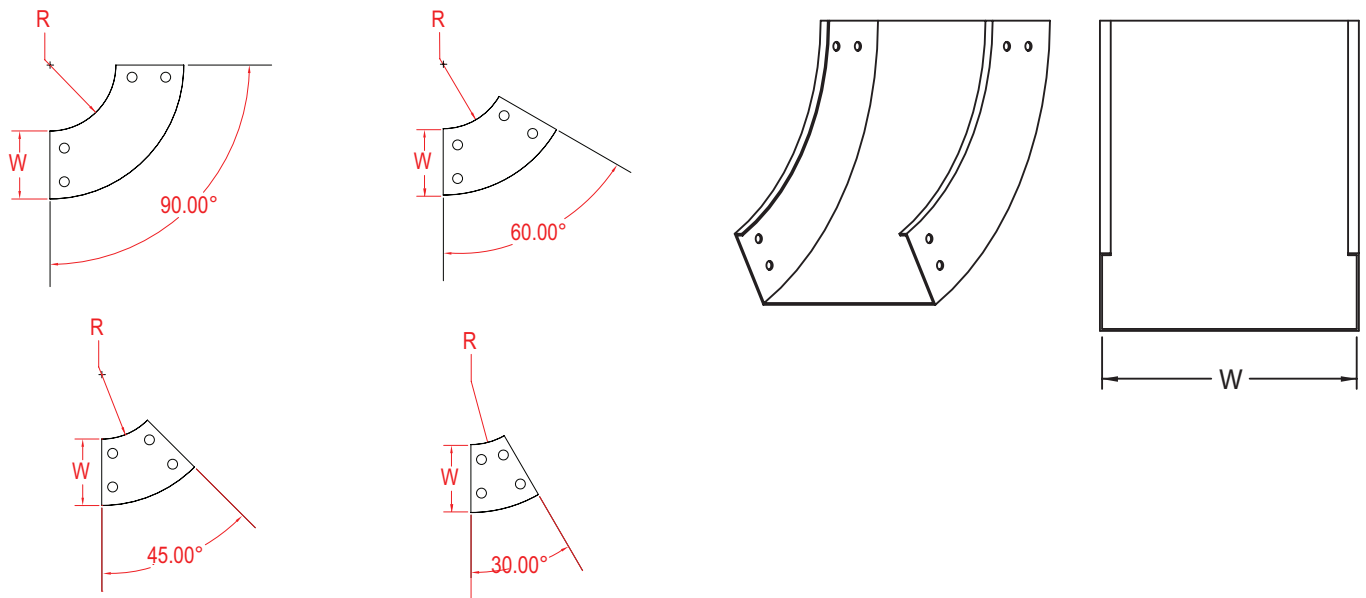
STAINLESS STEEL - SOLID - INSIDE VERTICAL RISER FITTING

Fittings are used to change the size or direction of the cable tray. Material: stainless steel 304 2B standard.

HOW TO ORDER - EXAMPLE:				SSIVS90-D115-30-60							
Material	Fitting Type	Style	Degree	Class Reference	Side Rail (H)		Width (W)		Radius (R)		
					mm	in	cm	in	cm	in	
SS	IV	S	30	D or E	115	(4 1/2")	15	(6")	30	(12")	
			45				30	(12")		60	(24")
			60				45	(18")		90	(36")
			90				60	(24")			
							75	(30")			
	90	(36")									

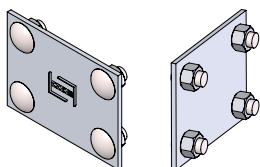
*Imperial measurements are for reference only

DEGREES



SPYDERLOK

The original quick connector included with all fittings and tray.



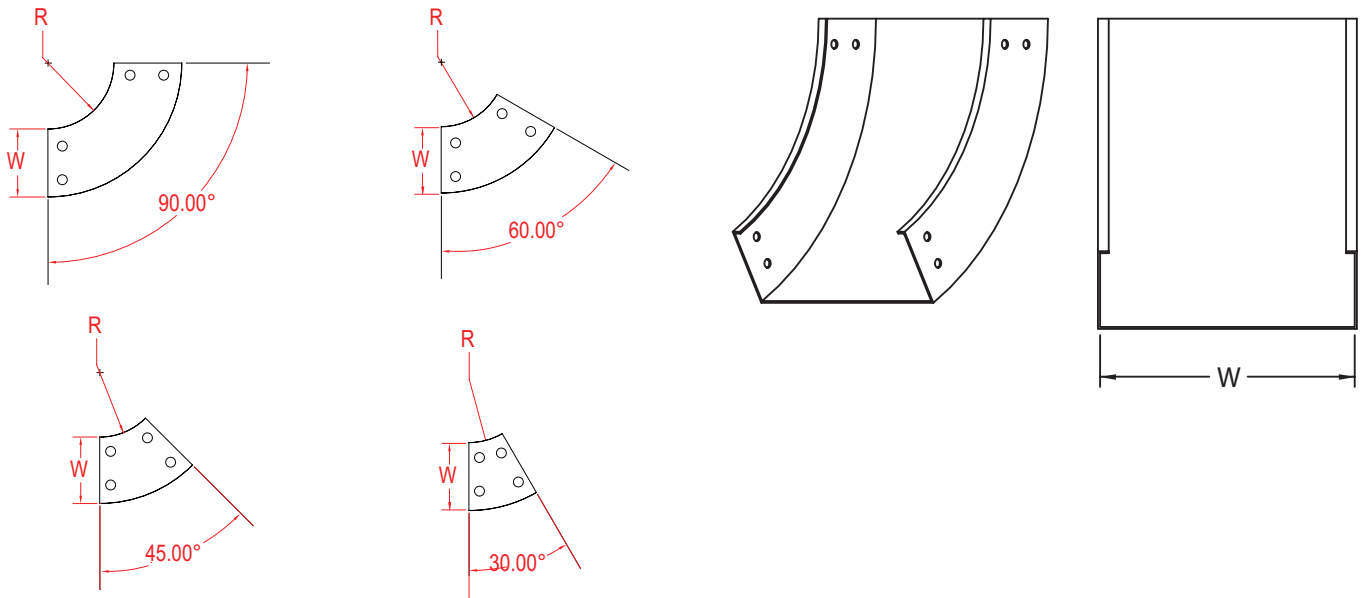
STAINLESS STEEL - SOLID - INSIDE VERTICAL RISER FITTING

Fittings are used to change the size or direction of the cable tray. Material: stainless steel 304 2B standard.

HOW TO ORDER - EXAMPLE:				SSIVS90-C150-30-60						
Material	Fitting Type	Style	Degree	Class Reference	Side Rail (H)		Width (W)		Radius (R)	
					mm	in	cm	in	cm	in
SS	IV	S	30	C, D, or E	150	(6")	15	(6")	30	(12")
			45				30	(12")		
			60				45	(18")		
			90				60	(24")		
							75	(30")		
	90	(36")	90	(36")						

*Imperial measurements are for reference only

DEGREES



SPYDERLOK

The original quick connector included with all fittings and tray.

