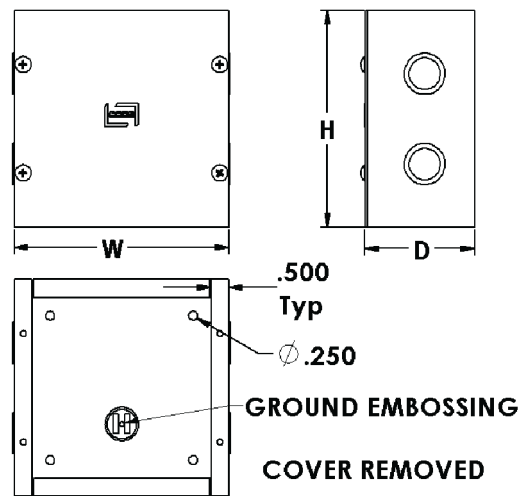


PULL BOXES - SCREW COVER - ALUMINUM - CSA 1

The D-A series boxes are used as junction or pull boxes. They are suitable for indoor application, and surface mounting.

- 12 Ga or 10 Ga aluminum
- Screw cover
- 4 internal mounting holes
- Grounding provisions
- CSA Certified
- Stocked in Port Coquitlam

Options include: flush covers, back pans and no knockouts.



PULL BOXES

CAT No:	H	W	D	LBS
*D-A-060603	6	6	3	2.0
*D-A-060604	6	6	4	2.5
*D-A-060606	6	6	6	2.0
*D-A-080804	8	8	4	2.5
*D-A-080806	8	8	6	3.0
*D-A-101004	10	10	4	3.0
*D-A-101006	10	10	6	4.0
*D-A-120606	12	6	6	3.0
*D-A-120904	12	9	4	4.0
*D-A-121204	12	12	4	4.0
*D-A-121206	12	12	6	5.0
D-A-180904	18	9	4	5.0

CAT No:	H	W	D	LBS
D-A-181006	18	10	6	7.5
D-A-181806	18	18	6	11.0
D-A-240604	24	6	4	5.0
D-A-240805	24	8	5	6.0
D-A-241006	24	10	6	8.0
D-A-241507	24	15	7	14.0
D-A-241809	24	18	9.5	17.0

*Indicates knockouts
Custom sizes available.

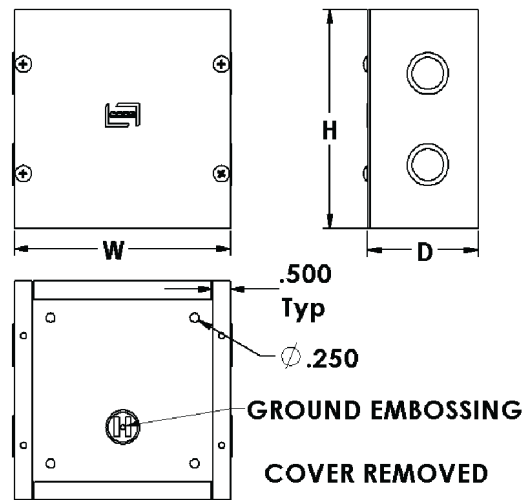
See next page for larger sizes.

PULL BOXES - SCREW COVER - ALUMINUM - CSA 1

The D-A series boxes are used as junction or pull boxes. They are suitable for indoor application, and surface mounting.

- 12 Ga or 10 Ga aluminum
- Screw cover
- 4 internal mounting holes
- Grounding provisions
- CSA Certified
- Stocked in Port Coquitlam

Options include: flush covers and back pans.



PULL BOXES

CAT No:	H	W	D	LBS
D-A-302010	30	20	10	23.0
D-A-303010	30	30	10	30.0
D-A-360604	36	6	4	8.0
D-A-360805	36	8	5	10.0
D-A-360904	36	9	4	11.0
D-A-361006	36	10	6	13.5
D-A-361507	36	15	7	19.0
D-A-361809	36	18	9.5	24.0
D-A-363014	36	30	14	42.0
D-A-402412	40	24	12	36.0
D-A-480604	48	6	4	10.5
D-A-480805	48	8	5	14.0

CAT No:	H	W	D	LBS
D-A-480904	48	9	4	14.0
D-A-481006	48	10	6	17.0
D-A-481507	48	15	7	24.5
D-A-481809	48	18	9.5	31.0
D-A-720604	72	6	4	15.5
D-A-720805	72	8	5	20.5
D-A-720904	72	9	4	21.0
D-A-721006	72	10	6	26.0
D-A-721507	72	15	7	35.0
D-A-721809	72	18	9.5	44.0

Custom sizes available.
See previous page for smaller sizes.