

STEEL - FITTINGS - VERTICAL TEE

Vertical Tees are available in up or down styles.

Material	Reducer	Style	Class	Side Rail (H)		Direction	Width (W)		Radius (R)
				cm	in		cm	in	
S	VT	L, V, or S	C, D, or E	102	(4")	U or D	15	(6")	30
				115	(4)		30	(12")	
				150	1/2")		45	(18")	
					(6")		60	(24")	
							75	(30")	
				90	(36")			90	

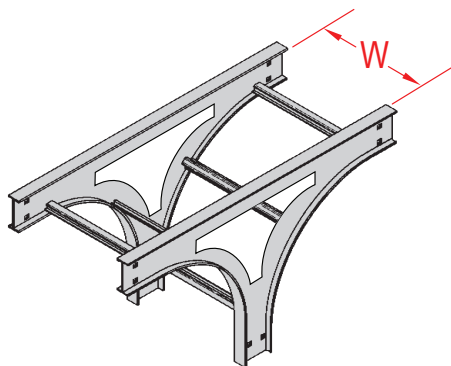
*Imperial measurements are for reference only

*Class Reference corresponds with Side Rail and only required for solid orders

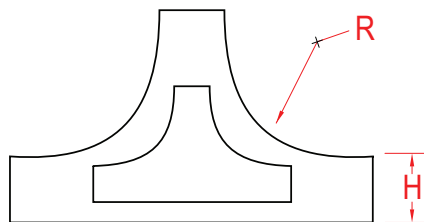
*Width (A) and Width (B) correspond together

*Width (B) provides a range of measurements in centimeters and inches

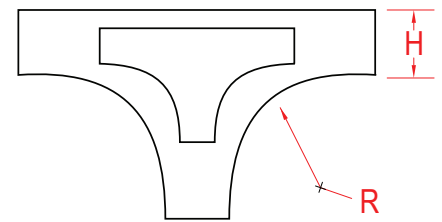
FITTING



C Shaped Profile



Up "T" Reducer
(VTU)



Down "T" Reducer
(VTD)

SPYDERLOK

The original quick connector included with all fittings and tray.

