

WYE fittings are available in right hand or left hand styles.

Material	Reducer	Style	Class	Side Rail (H)		Direction	Width (A)		Width (B)		Width (C)		Radius (R)
				cm	in		cm	in	cm	in	cm	in	
A	W	L V or S	C D or E	102	(4")	L or R	15	(6")	15	(6")	15	(6")	30 45
							30	(12")	30	(12")	30	(12")	
							45	(18")	45	(18")	45	(18")	
							60	(24")	60	(24")	60	(24")	
							75	(30")	75	(30")	75	(30")	
							90	(36")	90	(36")	90	(36")	

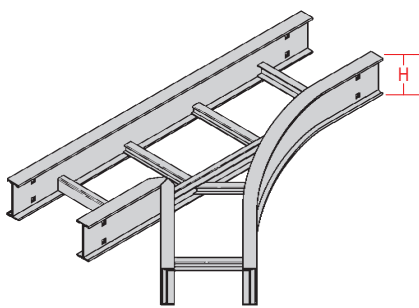
\*Imperial measurements are for reference only

\*Class Reference corresponds with Side Rail and only required for solid orders

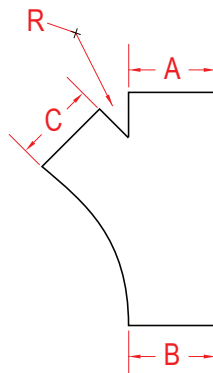
\*Width (A) and Width (B) correspond together

\*Width (B) provides a range of measurements in centimeters and inches

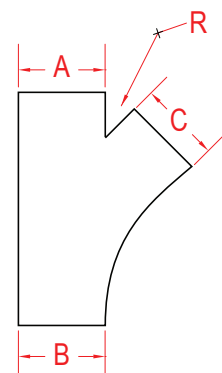
## FITTING



C Shaped Profile



Left WYE Reducer  
(WL)



Right WYE Reducer  
(WR)

## SPYDERLOK

The original quick connector included with all fittings and tray.

